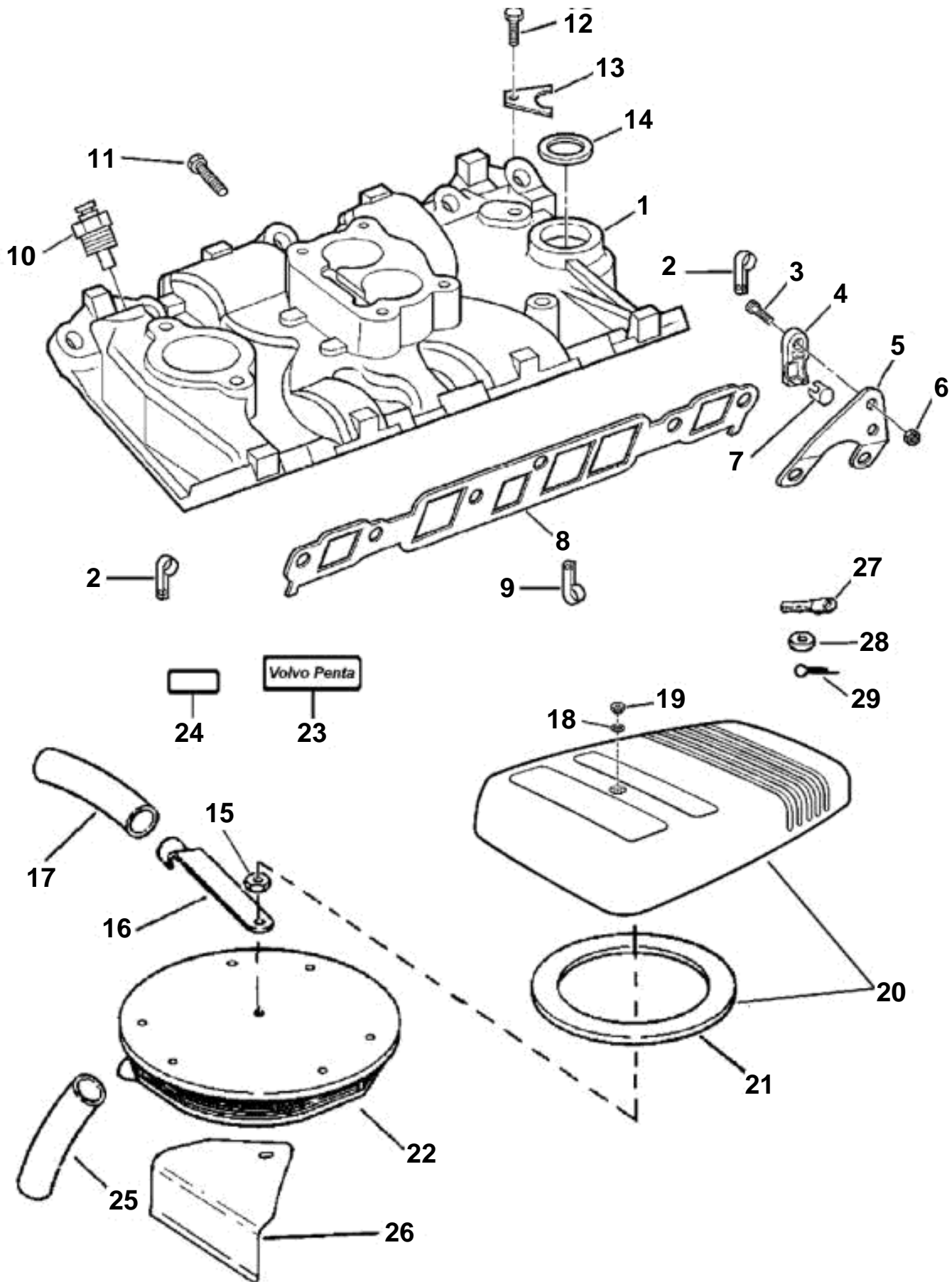


INTAKE MANIFOLD



INTAKE MANIFOLD

| REF | PART NO. | QTY | DESCRIPTION | NOTES |
|-----|----------|-----|--|---------------|
| 1 | 3855805 | 1 | Manifold, 2V | |
| | 3855806 | 1 | Inlet pipe, 4V | TBI |
| 2 | 3852092 | 2 | Clamp, Engine cable to lift bracket | |
| 3 | 3852048 | 1 | Screw, Anchor, throttle cable to bracket | |
| 4 | 3850266 | 1 | Anchorage, Throttle cable | |
| 5 | 3857411 | 1 | Bracket, Throttle cable to engine | GL/GS |
| | 3855509 | 1 | Bracket, Throttle cable to engine | Gi |
| 6 | 3852118 | 1 | Nut, Anchor, throttle cable to bracket | |
| 7 | 3852019 | 1 | Retainer, Throttle cable | |
| 8 | 3855807 | 2 | Gasket kit, Intake manifold | |
| 9 | 3852434 | 2 | Clamp, Engine cable to manifold | |
| 10 | 3852029 | 1 | Sender, Water temperature | |
| | 872068 | 1 | Sender, Water temperature, dual station | |
| 11 | 3856765 | 8 | Screw, Intake manifold | |
| 12 | 3856129 | 1 | Screw, Distributor clamp | |
| 13 | 3852108 | | Clamp, Distributor to engine | As required |
| 14 | 3852109 | 1 | Gasket, Distributor | |
| 15 | 3853561 | 1 | Nut, Flame arrestor to TBI, carb | |
| 16 | 3852695 | 2 | Connector, Hose, check valve | |
| 17 | 3852668 | 2 | Hose, Check valve | Cut to length |
| 18 | 3852007 | 1 | Washer, Flame arrestor cover | |
| 19 | 3852749 | 1 | Nut, Flame arrestor cover | |
| 20 | 3850510 | 1 | Cover, Flame arrestor | |
| 21 | 3850458 | 1 | · Spacer | |
| 22 | 3856862 | 1 | Flame trap | GL,GS |
| | 3856913 | 1 | Flame trap | Gi |
| 23 | 3854980 | 1 | Decal, Volvo Penta | |
| 24 | 3854982 | 1 | Decal, 4.3 GL | |
| | 3854983 | 1 | Decal, 4.3 GS | |
| | 3854984 | 1 | Decal, 4.3 Gi | |
| 25 | 3852668 | 1 | Hose, Elbow to carb, adapter | Cut to length |
| 26 | 3854916 | 1 | Deflector | Gi |
| 27 | 3850941 | 1 | Adapter, Throttle cable | |
| 28 | 3852193 | 1 | Washer, Throttle anchor | |
| 29 | 3852052 | 1 | Cotter pin, Throttle anchor | |